

EI-1120 Instruction Manual

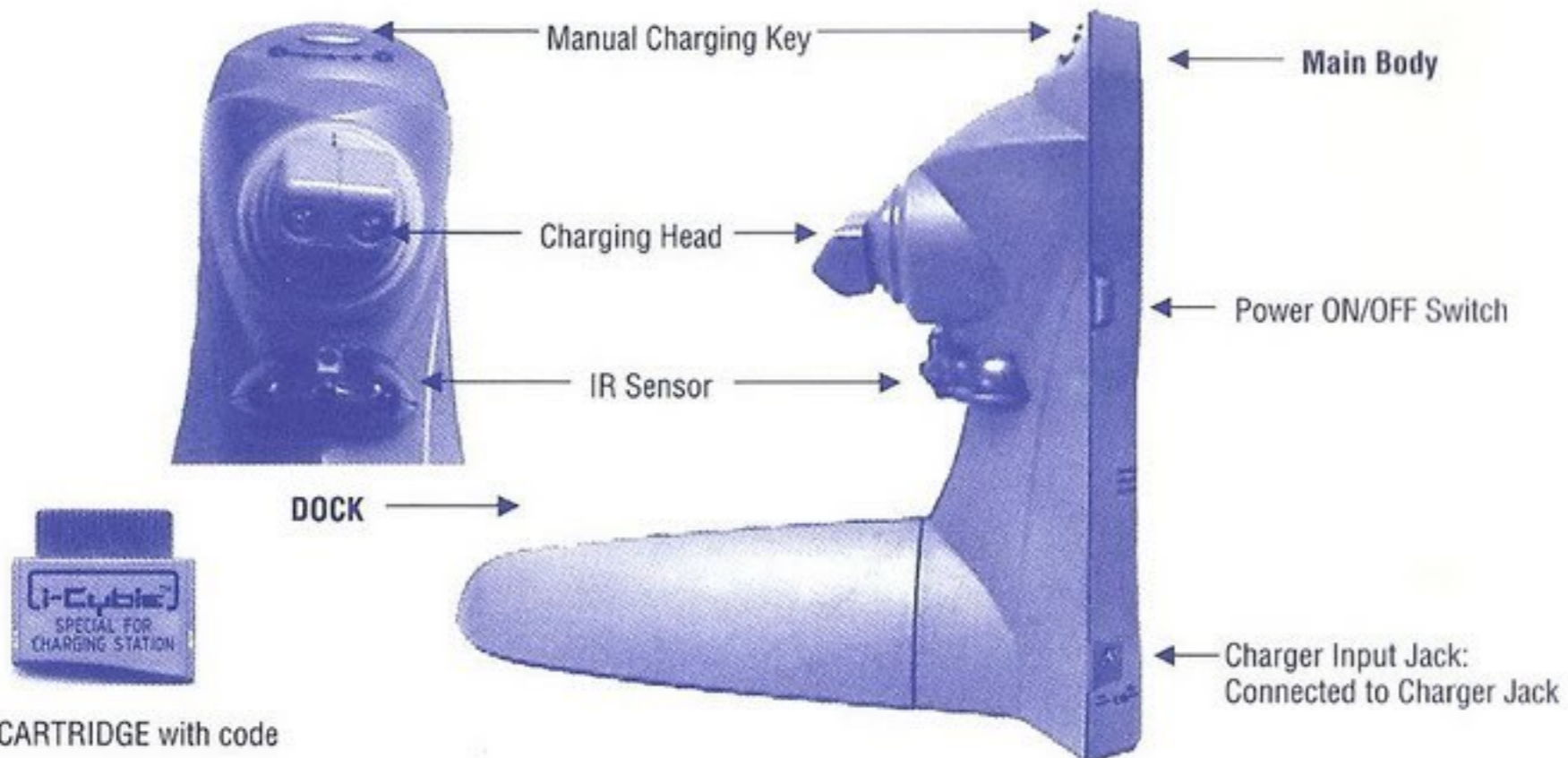
CHARGING STATION

Content:

Charging Station:	1 pc	CARTRIDGE with Code:	1 pc
Dock:	1 pc	Manual:	1 pc

Charging Station is a device specially designed for I-Cybie™. It can communicate with I-Cybie™ while the battery inside I-Cybie™ is exhausted. I-Cybie™ can go for charging battery himself. It has the features of:

- AUTO Charging
- MANUAL Charging
- DEMO Charging
- Short Circuit Protection
- Low Battery Voltage Adjustment with Remote Control



CARTRIDGE with code

CHARGING STATION INSTALLATION:

1.0 Connect dock with main body as per FIG.01-1, FIG.01-2 & FIG.01-3.

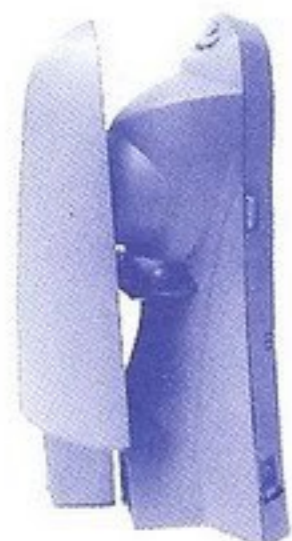


Fig.01- 1

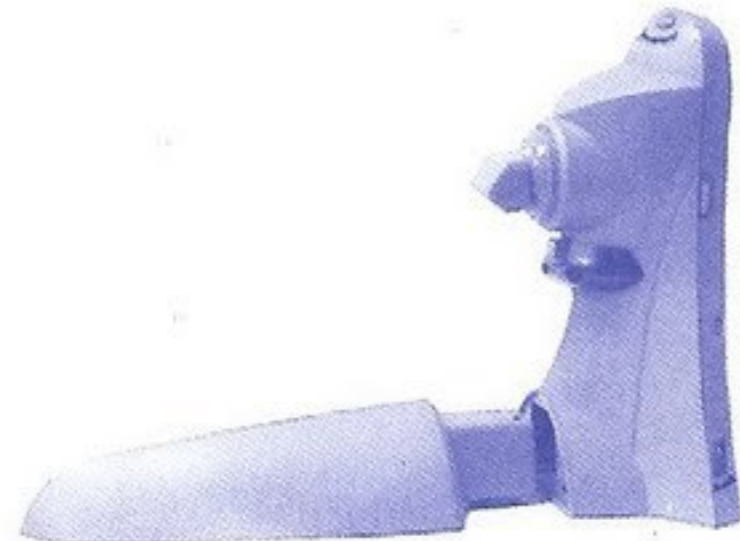


Fig.01- 2

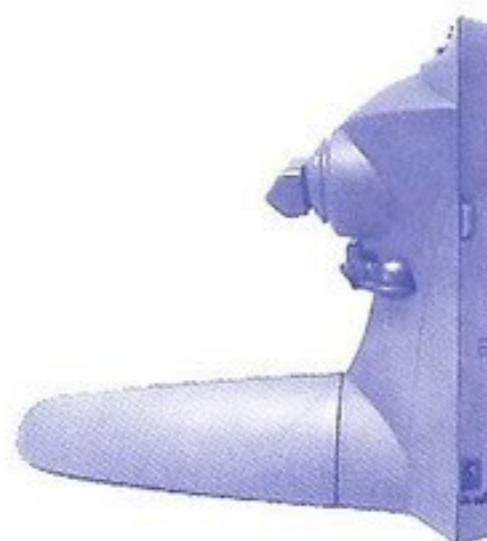


Fig.01- 3

- 2.0 Select a place near outlet socket and without any obstacles.
- 3.0 Set Charging Station to wall.
- 3.1 Rotate the screw outside to fit the gap between wall and Charging Station (See FIG.02)
- 3.2 Remove the protecting paper on Sponge.
- 3.3 Set it to the wall (See FIG.03).

Caution: Sponge may cause sticky marks to the wall or wood surfaces after removal. Please cut the sponge into small pieces to minimize the damage.

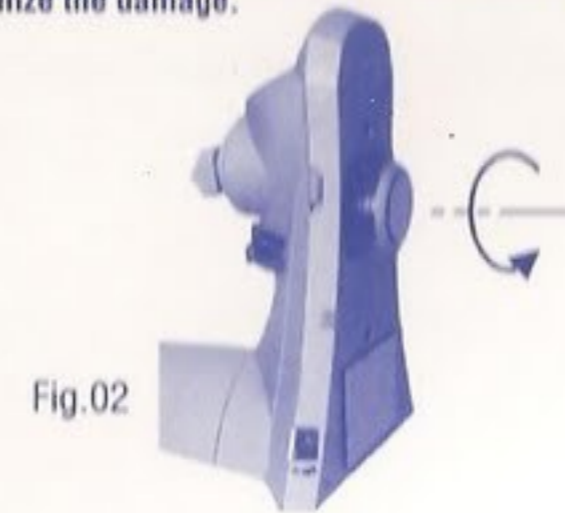


Fig.02



Fig.03

HOW TO USE:**1.0 Preparation**

1.1 Connect Charging Station to I-Cybie's Charger. (See Fig.04-1 & Fig.04-2).



Fig.04-1



Fig.04-2

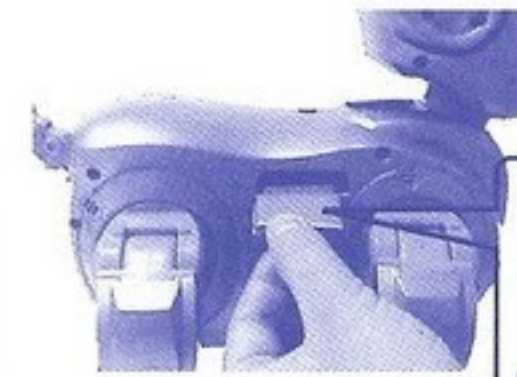


Fig.05



1.2 Set the ON/OFF switch to ON, The green LED will light up. The Charging Station is now in Standby mode.

1.3 Disconnect I-Cybie's battery and remove the dummy Cartridge from the i-Cybie, then put Cartridge with code in the slot on I-Cybie™ (See Fig.05).

Note: This Cartridge with code is a special program help i-Cybie find its Charging Station when low battery detected. If you are not playing with the Charging Station, please replace it by the dummy Cartridge.

Cautions:

- Non-rechargeable batteries are not to be recharged.
- Rechargeable batteries are only to be charged under adult supervision.
- Only batteries of the same or equivalent type as recommended are to be used.
- Batteries are to be inserted with correct polarity.
- The supply terminals are not to be short-circuited.

Note:

- Parental guidance is recommended when installing or replacing batteries.
- You are advised to replace with new batteries as soon as the function becomes impaired.
- Users should keep and retain this information for future reference.
- Users should keep strict accordance with the manufacturer's instructions while operating the product.
- Under the environment with electrostatic discharge, the sample may malfunction and require user power off and on to reset the sample.

Care and Maintenance:

- Always remove Adaptor from the Charging Station when it is not being used for a long period of time.
- Wipe the Charging Station gently with a clean damp cloth.
- Keep the Charging Station away from direct sunlight and/or direct heat.
- Do not submerge the Charging Station into water that can damage the electronic assemblies.
- The AC/DC adaptor is not a toy.

Power Supply:**Battery requirement for Charging Station**

Power Supply :	
Input :	18Vdc, 300mA
Output :	14.9Vdc, 250mA



2.0 AUTO Charging

- 2.1 Press I-Cybie™ head button to start normal play with him. When the battery inside get exhausted, I-Cybie™ will automatically start to search Charging Station after a "WOW" bark: he will send searching signal, and both eyes blink in red.
- 2.2 When Charging Station receives searching signal, it will send IR signal to lead I-Cybie™ enter Charging Station (3 Red LED will flash alternatively).
- 2.3 After I-Cybie™ dock successfully, Charging Station will play sound effect and Red LED will blink at the same time.
- 2.4 I-Cybie's tail will move while charging.
- 2.5 I-Cybie™ will leave the Station automatically when battery is fully charged.

NOTE:

While Searching, you can press large button on remote control to stop I-Cybie for a while.

The default setting for the code in cartridge enables the searching mode.

You can disable the auto-searching mode by pressing remote control key:

10_9_large button_4_large button.

You can enable the searching mode again by pressing remote control key:

10_9_large button_3_large button.

3.0 MANUAL Charging.

- 3.1 Let I-Cybie™ face Charging Station.
- 3.2 Press the "Manual Charging" key on station, it will send an IR signal to I-Cybie™ (The orange LED will light up).
- 3.3 I-Cybie™ will stop and perform neutral stand, his left eye lights up in orange and right eye blinks in red.
- 3.4 If I-Cybie™ doesn't stop action and station turns off orange LED, please press "Manual Charging" key again.
- 3.5 User should put I-Cybie™ to station quickly. Otherwise, I-Cybie™ will return to normal status, Charging Station will return to standby mode.
- 3.6 Once I-Cybie connected to station, his eyes will flash in red to indicate successful connection
- 3.7 I-Cybie's tail will move while charging.
- 3.8 I-Cybie™ will leave the Station automatically when battery is fully charged.

4.0 DEMO Charging

- 4.1 Start DEMO mode by pressed remote control button (10_9_Large circle key_7 _Large circle key)
- 4.2 I-Cybie™ will start to send searching signal
- 4.3 When Station received this signal, it will send IR signal to lead I-Cybie™ enter Station.(3 Red LED will flash alternatively)
- 4.4 After I-Cybie™ dock successfully, Station will play sound effect and Red LED will blink at the same time.
- 4.5 4.5 After short demonstration completed, I-Cybie™ will take a rest for next demonstration.

NOTE:

While Searching, you can press remote control large button to exit DEMO searching and press 10_9_large button_7 _large button to restart "DEMO Charging" again.

The default setting for the code in cartridge enables the searching mode.

You can disable the DEMO searching mode by pressing remote control key:

10_9_large button_4_large button.

You can enable the searching mode again by pressing remote control key:

10_9_large button_3_large button.

5.0 Short Circuit Protection

- 5.1 In case of short-circuited at charger head of Station externally, it will play alert sound effect until the station is power off.

6.0 Adjust Low Battery Level with Remote Control

- 6.1 You can use remote control to adjust the voltage when I-Cybie™ start searching.
- 6.2 Press remote control key 10_9_large circle key_1_large circle key, you can decrease battery level.
- 6.3 Press remote control key 10_9_large circle key_2_large circle key, you can increase battery level.
- 6.4 The adjusting Range is -0.3V< default low battery level (factory setting) <+0.2V

7.0 Tips for Operation

- 7.1 Please see section 8.0 for the LED pattern at each step.
- 7.2 Press "Manual Charging" key on Station while charging, I-Cybie™ will leave with a "WOW" bark, and Station will generate a leaving sound effect, then go to "Standby mode"
- 7.3 If disconnect for a while at charging, Charging station will return to standby mode, but I-Cybie™ will blink his eyes and return to normal.
- 7.4 Charging period will depend on the remained capacitance of battery.
- 7.5 The mood of I-Cybie™ will effect the docking duration.
- 7.6 You can decrease the "Low battery level" for longer playing time and better battery performance.
- 7.7 Do not block the holes on IR Sensor.
- 7.8 If the battery voltage is very low, it can't start an I-Cybie™, you should remove the battery from I-Cybie™ and charge it directly to I-Cybie's Charger.
- 7.9 The effective area:
Range : About 1.5 Meter
Angle : ±50 degrees from normal

8.0 LED Pattern

8.1 I-Cybie™

Mode	Right Eye	Left Eye
Searching	Red ~ 1Hz	Red ~ 1Hz
Manual mode	Red ~ 1Hz	Orange ~ On
Charging	Red ~ Blink 2Hz for 2sec and off 5sec	

8.2 Charging Station

Mode	Green	Red	Red	Red	Yellow	
Power On						
Auto Mode	Searching	On	Off	1Hz	Off	
		On	1Hz	Off	1Hz	
	Docking	On	1Hz	1Hz	1Hz	
	Charging	On	Blink 2Hz for 2sec & off 5sec			
	Disconnect	1Hz				
Manual Mode	Short circuit	1Hz				
	Waiting	On	Off			On
	Docking	On		1Hz	1Hz	On
	Charging	On	Blink 2Hz for 2sec & off 5sec			On
	Disconnect	1Hz				
Demo Mode	Short circuit	1Hz				
	Searching	On	Off	1Hz	Off	Off
		On	1Hz	Off	1Hz	Off
	Docking	On	1Hz	1Hz	1Hz	Off
	Charging	On	Blink 2Hz for 2sec & off 5sec			Off
Disconnect	1Hz					
Short circuit	1Hz					

Note: Please replace with the "Cartridge with Code" by the "dummy Cartridge" if Charging Station is not in use.