

To make a withdrawal:

1. Press the BANK button [Ⓢ] to go to Bank Mode.
2. Press the LEFT or RIGHT control button to go Withdrawal Mode.
3. Press ENTER when "WITHDRAWAL" flashes on the LCD screen.
4. Decide how much money you want to take out and press the control button UP to display the withdrawl amount.

Tip: Press and quickly release the control button to change the number in one digit increments. Press and hold the control button to change the number in five digit increments.

5. After the withdrawal amount is set, press the ENTER button [Ⓢ] to return to Bank Mode. The withdrawal amount is confirmed and the LCD screen will display your new bank balance.
6. Press ENTER again to return to the time & date screen.

To reset your robot

To completely reset your robot's memory (which you shouldn't do often), press the reset button located on the bottom of his feet. Resetting will clear the time, date, alarm and bank balance from your robot's memory.

BATTERY SAFETY INFORMATION

- Non-rechargeable batteries are not to be recharged.
- Rechargeable batteries are only to be charged under adult supervision.
- Rechargeable batteries are to be removed from the toy before being charged.
- Different types of batteries or new and used batteries are not to be mixed.
- Batteries are to be inserted with the correct polarity.
- Exhausted batteries are to be removed from the toy.
- The supply terminals are not to be short-circuited.

Protect the environment by not disposing of this product with household waste (2002/96/EC). Check your local authority for recycling advice and facilities.

**CONFIDENTIAL
FOR YOUR EYES ONLY:**

Your robot has a secret safe built into his back. This is where your money is stored and it's also the perfect place to hide other important items like secret notes, photos, trading cards, or whatever you need to keep safe!

The safe's key is located on your robot's left shoulder. It is the circular disc built into his upper arm. Twist it off and put it in the keyhole located on your robot's back. Turn the key clockwise and the safe door will open.

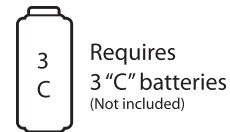
Always be sure to immediately replace the secret safe key into his shoulder so it remains a secret.

MADE IN CHINA
This device complies with part 15 of the FCC Rules. Operation is subject to the following two conditions.
(1) this device may not cause harmful interference, and
(2) this device must accept any interference received, including interference that may cause undesired operation.

⚠ WARNING: Changes or modifications to this unit not expressly approved by the party responsible for compliance could void the user's authority to operate the equipment

NOTE: This equipment has been tested and found to comply with the limits for a Class B digital device, pursuant to Part 15 of the FCC Rules. These limits are designed to provide reasonable protection against harmful interference in a residential installation. This equipment generates, uses and can radiate radio frequency energy and, if not installed and used in accordance with the instructions, may cause harmful interference to radio communications. However, there is no guarantee that interference will not occur in a particular installation. If this equipment does cause harmful interference to radio or television reception, which can be determined by turning the equipment off and on, the user is encouraged to try to correct the interference by one or more of the following measures:

- Reorient or relocate the receiving antenna.
- Increase the separation between the equipment and receiver.
- Connect the equipment into an outlet on a circuit different from that to which the receiver is connected.
- Consult the dealer or an experienced radio/TV technician for help.



Robot In My Room™

Locking Smart Bank • Room Guard • Alarm Clock • Reading Timer

Battery Installation

You'll need a Phillips-head screwdriver (not included) and three "C" batteries.

1. Your robot's battery compartment is located on the bottom of his feet. Carefully turn him over and remove the battery compartment cover. (See Figure 1.)
2. Insert three "C" batteries into the compartment, making sure that the "+" and "-" ends are inserted correctly, as indicated in the battery compartment.
3. Replace the battery compartment cover. Do not over-tighten the screw.

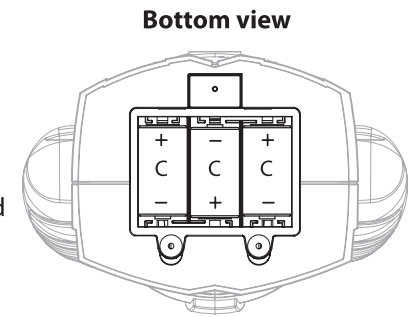


Figure.1

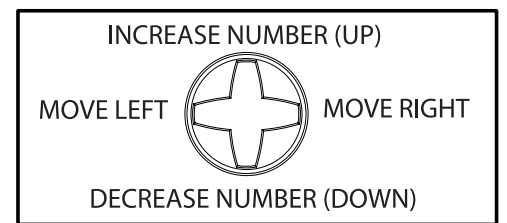
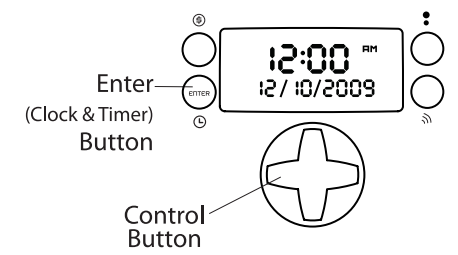
Optional AC adapter (not included):

You can connect an AC adapter and use batteries for back-up. The AC adapter jack is located on back of your robot's left leg. AC adapters can be purchased at most home electronic retailers. (Uses 120 volts AC in, 60 Hz 4.5 volts DC out, 450 mA. Please follow AC adapter manufacturer's instructions for compatibility and use.)

How to set the time and date [⌚]

Your robot needs to know the time and date in order to do his jobs correctly. Here's how to set his clock:

1. Press and hold the ENTER button 2 seconds to go to Clock Mode.
2. Use the control button to enter the current time and date. Press the UP control button to increase the number and DOWN to decrease. To move to the next selection, press the RIGHT control button.



Tip: Press and quickly release the control button to change the number in one digit increments. Press and hold the control button up or down to change the number rapidly.

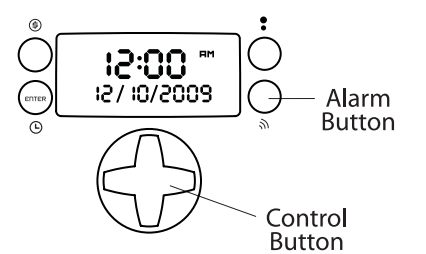
Please note: If no action is taken within 15 seconds, the screen will return to time and date.

3. After you have entered the current time and date, press the ENTER button once again.

How to set the alarm [🔔]

Your robot wants to always be on time. And he wants you to be on time, too. That's why your robot has a built-in alarm. Let's set the alarm:

1. Press and hold the ALARM button, the LCD screen displays the alarm time. Press the UP or DOWN control button to change the alarm time.



Tip: Press and quickly release the control button to change the number in one digit increments. Press and hold the control button to change the number in five digit increments.

Please note: If no action is taken within 15 seconds, the screen will return to time and date.

2. To set and activate the alarm, press the ENTER button. When the alarm is active the alarm icon [🔔] displays on the LCD screen.

3. To deactivate the alarm, press the ALARM button again.

Snooze function

Press the SNOOZE button to stop the alarm. The alarm voice will re-activate after 5 minutes.

KEEP THESE INSTRUCTIONS FOR FUTURE REFERENCE — DO NOT DISCARD
Questions? Comments? Please contact us. We can help!
1-888-742-2484 or go to www.unclemilton.com



Uncle Milton Industries, Inc.
31186 La Baya Dr., Westlake Village, CA 91362
1-888-742-2484 Fax: 818-707-0878 www.unclemilton.com
©UMI. All Rights Reserved. Robot in My Room is a trademark of UMI. Printed in China.

How to turn the alarm off

Press anywhere on the Navigation Control Button to stop the alarm for the day. The alarm symbol stays on and will go off the next day at the same time.

Note: To deactivate the alarm, press the ALARM button again.

How to set the timer [L]

Your robot also has a built-in timer. For example, you can use it to time yourself reading before bedtime. Here's how it works:

1. Press and quickly release the ENTER button to activate the timer. The robot will automatically set 30 minutes on the timer. If you want to set the timer for a different amount of time, press the UP or DOWN control button.

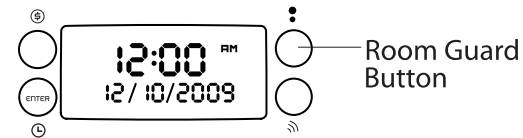
Tip: Press and quickly release the control button to change the number in one digit increments. Press and hold the control button to change the number in five digit increments.

Please note: If no action is taken within 5 seconds, the screen will return to time and date.

2. To start the timer, press ENTER. The colon will blink indicating the countdown has started. When time runs out, the LCD screen will flash "0" and your robot will sound an alert.
3. To cancel the countdown at any time, press the SNOOZE button.

How to use the room guard [•]

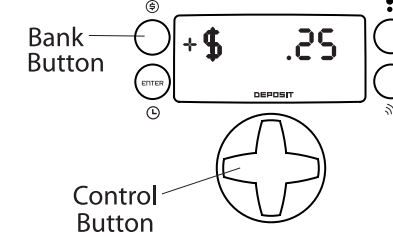
Your robot is also an excellent room guard. Here's how he works:



1. Position your robot approximately six to eight feet from the door or area you want to guard. Be sure his view of the door or "guarded area" is unobstructed. If your robot is too close to the door/wall or if an object is in his view, your robot will issue warnings repeatedly until he is moved further away from the door/wall, or the object is removed to give him a clear, unobstructed view.
2. Press the ROOM GUARD button to activate the room guard function. The room guard icon [•] displays on the LCD screen and the Room Guard will become active after a 5 second delay.
3. When an intruder enters your room, your robot's sensor is triggered. His eyes will light up and it will issue three warnings. He will remain in ROOM GUARD MODE and will issue additional warnings each time his sensor is triggered.
4. To deactivate the room guard, press the ROOM GUARD button again.

How to use the smart bank [Ⓢ]

Your robot is also a bank! Each time you insert a coin into the slot (a deposit), he will respond, and your bank balance (how much you have in the bank) display on the LCD screen will automatically increase. When you deposit paper currency (like a dollar bill), or when you take money out of the bank (a withdrawal), you will have to manually increase or decrease the balance.



To view your bank balance:

1. Press the BANK button [Ⓢ] to go to Bank Mode. ("BALANCE" will flash on the LCD screen. If it is not flashing, press the LEFT or RIGHT control button to go to Balance Mode.)
2. Press ENTER to go to the Bank Balance screen. Your current bank balance is displayed. This is how much money you've saved. Way to go!
3. Press the BANK button [Ⓢ] to return to Bank Mode, then press ENTER to return to the time & date screen.

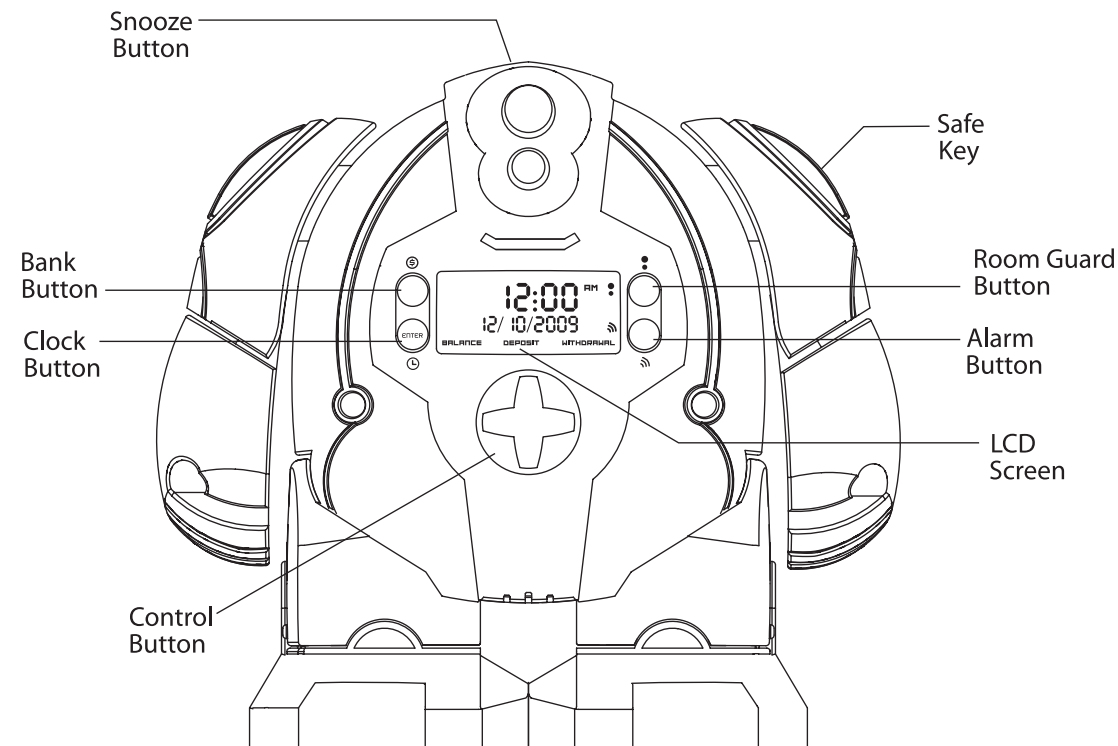
To deposit a bill:

1. Press the BANK button [Ⓢ] to go to Bank Mode.
2. Press the LEFT or RIGHT control button to go Deposit Mode.
3. Press ENTER when "DEPOSIT" flashes on the LCD screen.
4. Press the UP control button for each dollar you deposit.

Tip: Press and quickly release the control button to change the number in one digit increments. Press and hold the control button to change the number in five digit increments.

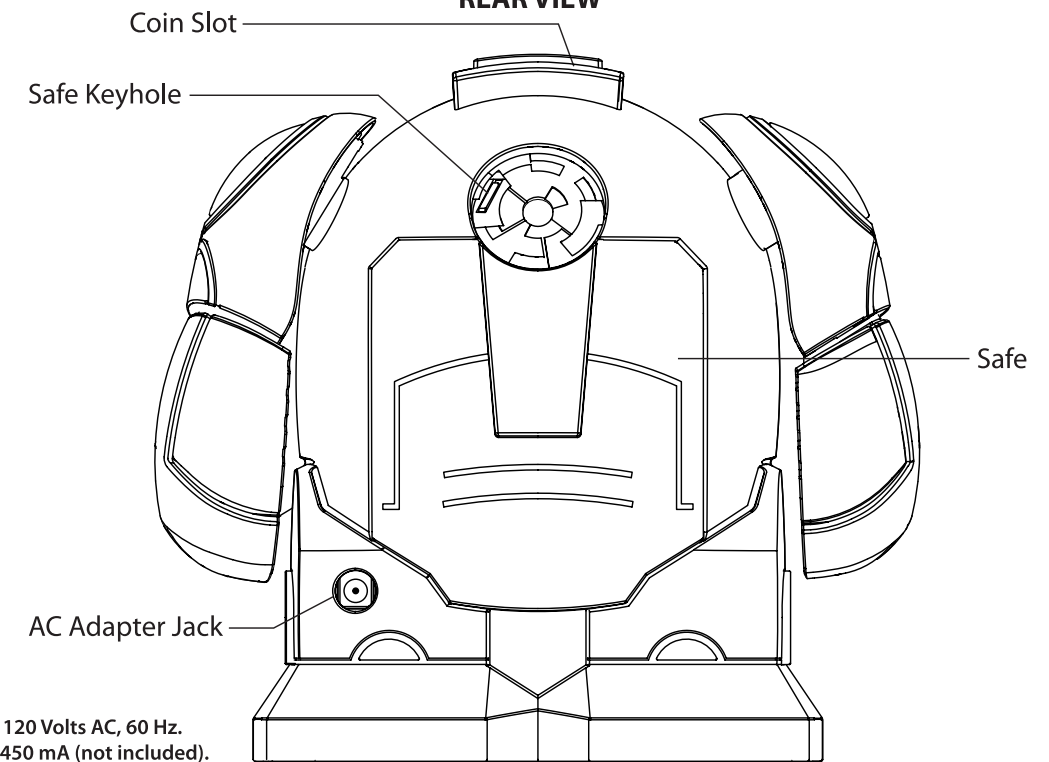
5. After the deposit amount is set, press the BANK button [Ⓢ] to return to Bank Mode. The deposit amount is confirmed and the LCD screen displays your new bank balance.
6. Press ENTER again to return to the time & date screen.

FRONT VIEW



2

REAR VIEW



Optional AC adapter 120 Volts AC, 60 Hz.
Output 4.5 Volts DC, 450 mA (not included).

3