

Disney's  
**Winnie  
the  
Pooh**

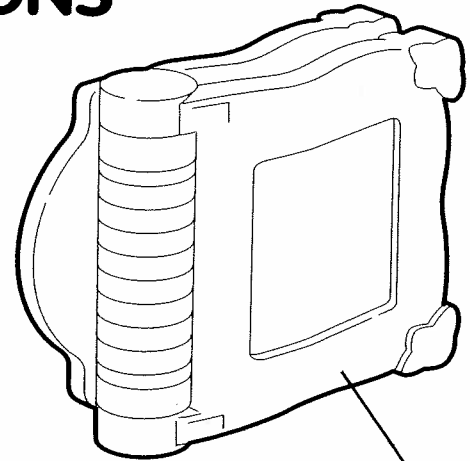
**Fisher-Price**  
26185-0920

# Read with Pooh

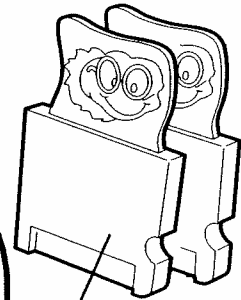
## INSTRUCTIONS

### Contents:

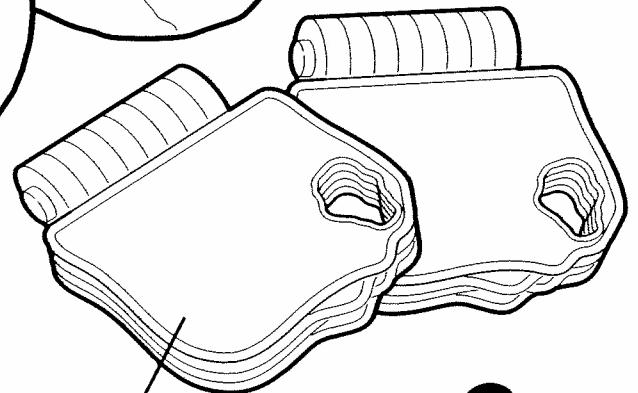
Pooh  
Bear(1)



Child's Storybook(1)



Bookmark(2)



Storybook Title (2)

### ADULTS NOTE:

Cut the plastic attachments and/or thread with scissors and discard the pieces.

Batteries included are for demonstration purposes only. Toy requires 3 "AAA" and 3 "C" alkaline batteries (not included).

Keep these instructions for future reference as they contain important information.

Please remove the try me batteries and card board in Pooh before install batteries.

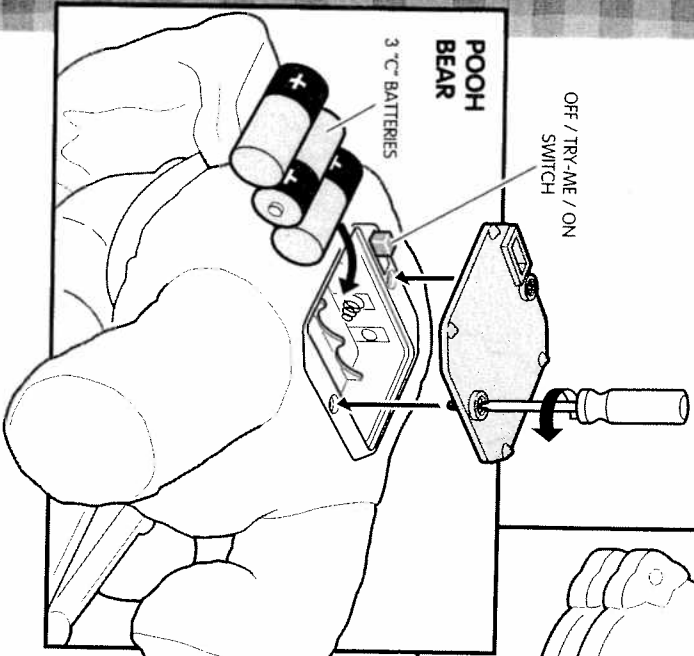
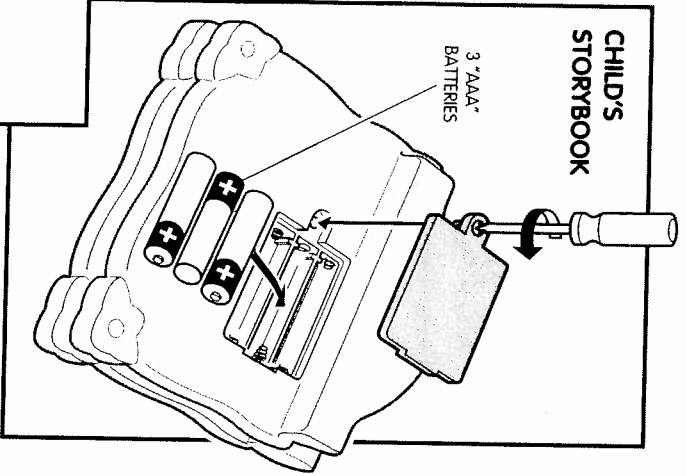
**3+**  
**years**

Fisher-Price, Inc., A subsidiary of Mattel, Inc., NY NY10010 USA. © Disney.  
Based the 'Winnie the Pooh' works. Copyright A. A. Milne and E. H. Shepard.

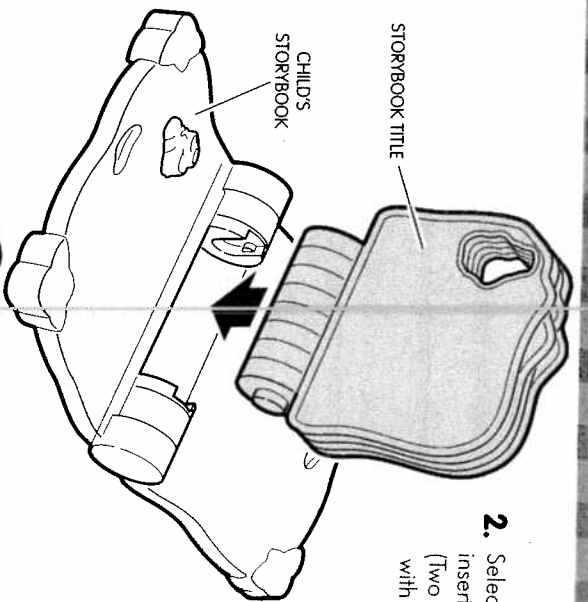
## REPLACE BATTERIES

Using a Phillips head screwdriver (not included) unscrew door and lift off.

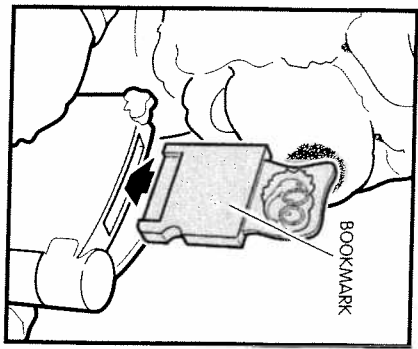
For Pooh Bear, install 3 "C" alkaline batteries, and in Child's Storybook, install 3 "AAA" alkaline batteries. Replace each door. Pooh Bear is surface washable only.



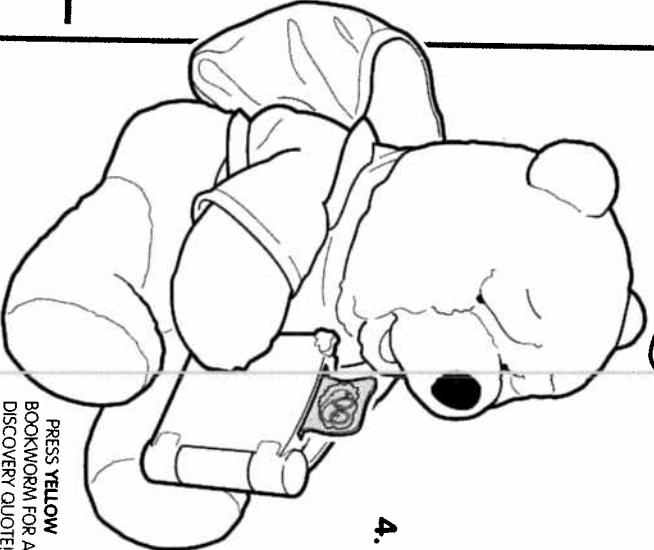
**1.** Locate Pooh Bear's ON/OFF switch at bottom of toy. (See illustration to left). Turn switch to "ON", and **squeeze his left foot**. Pooh Bear will give a greeting and then say, "Would you like to choose a hundred acre story?"



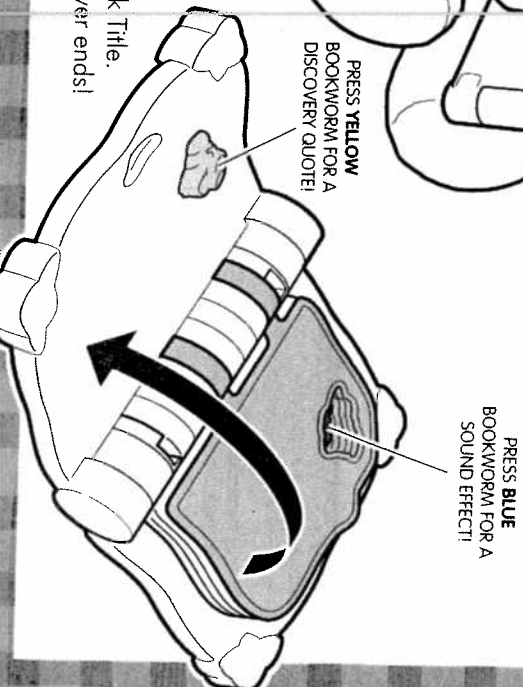
**2.** Select a "Storybook Title", and insert into "Child's Storybook". (Two Storybook Titles are included with this toy).



**3.** Insert "Bookmark" into Pooh Bear's book. Use the bookmark that corresponds to the Storybook Title color you've selected.



**4.** Turn "Child's Storybook" towards Pooh. Open Child's Storybook and Pooh opens his Storybook and begins to "read" the first page. Pooh continues to read as you turn each page!



**5.** When Pooh completes the story, start again with first page, OR insert a new Storybook Title. Either way, the fun never ends!

### BATTERY SAFETY INFORMATION:

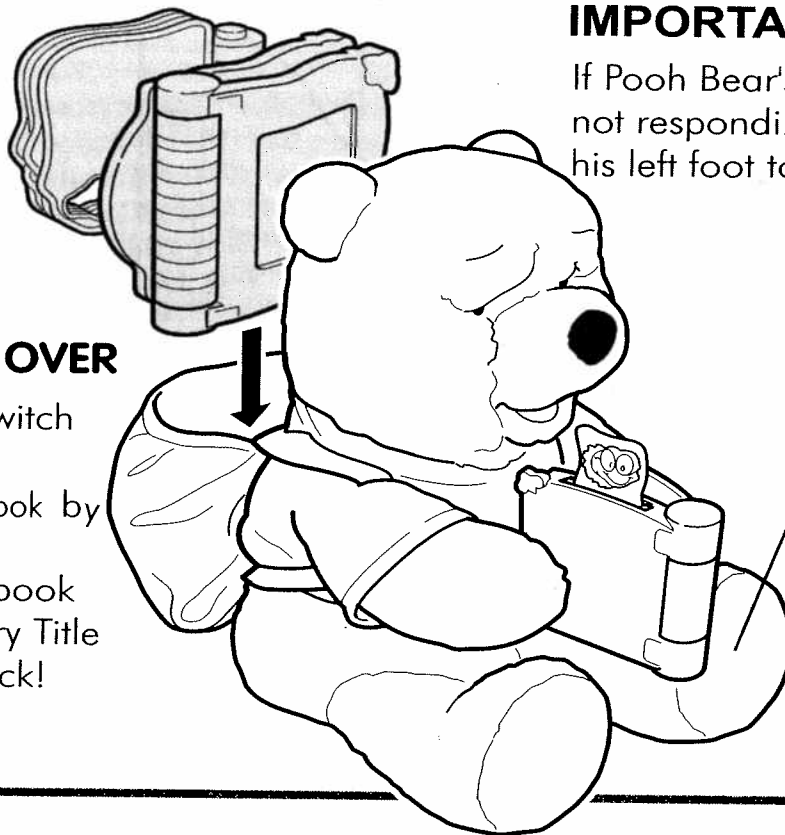
1. Non-rechargeable batteries are not to be recharged.
2. Rechargeable batteries are to be removed from the product before they are charged.
3. If removable rechargeable batteries are used, they are only to be charged under adult supervision.
4. Do not mix alkaline, standard (carbon-zinc), or rechargeable (nickel-cadmium) batteries.
5. Do not mix old batteries and new batteries.
6. Only batteries of the same or equivalent type as recommended are to be used.
7. Be sure to insert batteries with the correct polarities and always follow the toy and battery manufacturers' instructions.
8. Exhausted batteries are to be removed from the product.
9. The supply terminals are not to be short-circuited.
10. Dispose of batteries safely.

## TROUBLESHOOTING

- If Pooh Bear does not respond to Child's Storybook, make sure Pooh Bear's switch is turned "ON", and squeeze left foot to wake up Pooh.
- Open Child's Storybook and insert Story Title only after Pooh's switch is turned "ON" and prompts the Child to "Choose a hundred acre story".
- If Pooh still does not respond, reposition top edge of Child's Storybook to face Pooh.
- Replace batteries in Child's Storybook if Pooh does not respond to steps taken above.
- Replace batteries in Pooh when speech or motion slows.

### IMPORTANT:

If Pooh Bear's is "on" but not responding, squeeze his left foot to reactive.



### WHEN PLAY IS OVER

- Turn Pooh Bear's switch to "OFF"
- Turn off Child's Storybook by closing it.
- Place Child's Storybook and additional Story Title into Pooh's backpack!

### 2 YEAR LIMITED WARRANTY

Mattel, Inc. warrants to the original consumer purchaser of any product it manufactures that the product will be free of defects in material or workmanship for two years (unless specified in alternate warranties) from the date of purchase. If defective, return the product along with proof of the date of purchase, postage prepaid, to Consumer Adjustment Center, 15930 E. Valley Boulevard, City of Industry, California 91744 for replacement or refund at our option. This warranty does not cover damage resulting from accident, misuse, or abuse. **Valid only in U.S.A.** This warranty gives you specific legal rights and you may also have other rights which vary from state to state.

Send only the product to the address above. Send all correspondence to Consumer Affairs, Mattel, Inc., 333 Continental Blvd., El Segundo, California 90245-5012, U.S.A. Or you may phone us toll-free at 1-800-524-TOYS, Monday - Friday, 8:00 a.m. - 5:00 p.m. PST; 11:00 a.m. - 8:00 p.m. EST.

### CONSUMER INFORMATION

MATTY MATTEL™ Toys



**YOU CAN TELL IT'S MATTEL!** CALL us toll-free or write with any comments or questions about our products or service. Monday-Friday, 8:00 a.m.-5:00 p.m. PST; 11:00 a.m.-8:00 p.m. EST. Outside U.S.A., see telephone directory for Mattel listing. Consumer Affairs, Mattel, Inc., 333 Continental Blvd., El Segundo, CA 90245 USA

**1 (800) 524-TOYS**



CONFORMS TO THE SAFETY REQUIREMENTS OF ASTM F963.

**We are dedicated to quality products.**