



Thank you for purchasing Mr. Clock Radio. If something is missing or damaged, **PLEASE DO NOT RETURN TO THE STORE WHERE IT WAS PURCHASED.** Instead, please contact us @ 1-866-634-5399. Please be prepared to give us the following information:

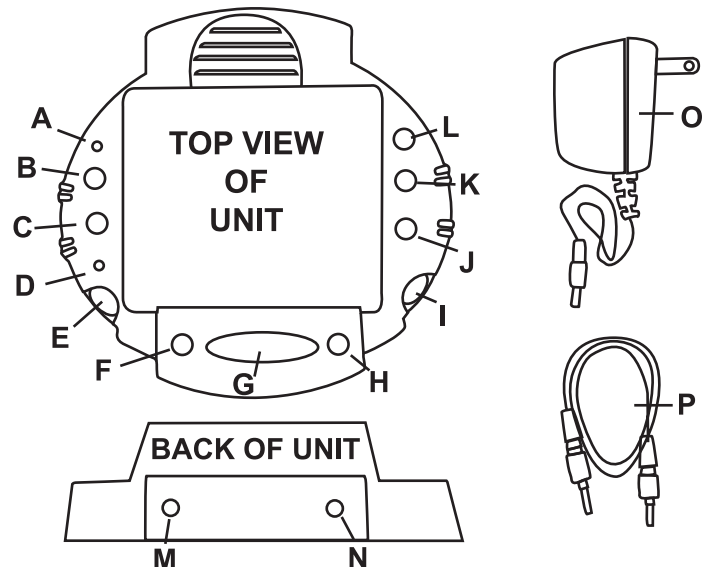
- 1) Date of Purchase
- 2) Copy of Receipt
- 3) Item model #
- 4) Where it was purchased

This device complies with part 15 of the FCC rules. Operation is subject to the following two conditions: (1) This device may not cause harmful interference, and (2) This device must accept any interference received, including interference that may cause undesired operation.

BATTERY SAFETY INFORMATION

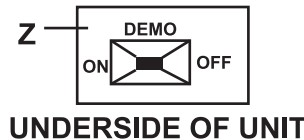
In exceptional circumstances batteries can leak fluids that can cause a chemical burn injury or ruin your product. To avoid battery leakage:

- Do not mix old and new batteries or batteries of different types: alkaline, standard (carbon-zinc) or rechargeable (nickel-cadmium).
- Insert batteries as indicated inside the battery compartment.
- Remove batteries during long periods of non-use. Always remove exhausted batteries from the product. Dispose of batteries safely. Do not dispose of this product in fire. Batteries inside may explode or leak.
- Never short-circuit the battery terminals.
- Use only batteries of the same or equivalent type, as recommended.
- Do not charge non-rechargeable batteries.
- Remove rechargeable batteries from the product before charging.
- If removable, rechargeable batteries are used, they are only to be charged under adult supervision

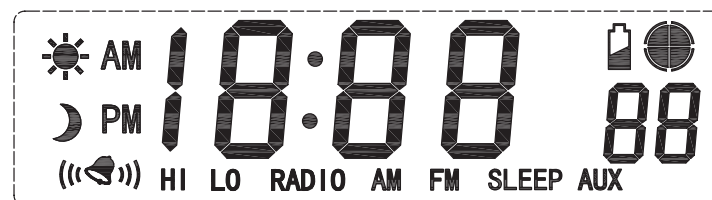


Buttons:

- A- Alarm Set
- B- Hour
- C- Minute
- D- Time Set
- E- Tuner
- F- Fortune
- G- Snooze/Sleep/Time Announce
- H- Head Light
- I- Volume Wheel
- J- Off
- K- Radio On AM/FM/AUX
- L- Alarm On Hi/Low/AM/FM
- M- Power Input
- N- AUX Input
- O- Power Adapter
- P- MP3 Input Jack Wire



LCD Display:



- AM/PM.....Morning/Afternoon
- 18:88.....Time display
- ((☀☾)).....Alarm clock mode
- RADIO.....Alarm in radio mode
- AM/FM.....Amplitude Modulation /Frequency Modulation
- HI/LO.....Indication for aggressive animated wake up/Indication for easy going wake up
- ☹.....Indication for "LOW-BATTERY" FOR Clock function Battery back-up
- SLEEP.....Sleep function
- ☀/☾.....Indication for the period of time of time announcing
- ☉☉☉.....Indication for the interval of time announcing
- 88.....Shows "Fortune" count down and shows "SLEEP" time

Button Functions:

- Alarm Set.....Sets the alarm time
- Hour.....Sets the hour/Period of time reporting
- Minute.....Sets the minute/Interval of time reporting
- Time Set.....Sets time of day
- Fortune.....Gives the answers to your Questions
- Snooze.....Sleep late/Sleep/Time Announce
- Reporting/Respond/Demo
- Head Light.....Turns Head Lights on as a night light
- Off.....Cancels all functions and reverts to Time Mode
- Radio On (AM/FM/AUX).....Radio Mode/Select wave band
- Alarm On (Hi/Lo/AM/FM).....Alarm Mode/Select alarm output

Please note that MR CR (Mr. Clock Radio) powers on automatically when Power Adapter (O) is plugged-into Power Input (M).

DEMO Mode:
The DEMO (Z) switch is located on the underside (bottom) of MR CR. If the DEMO (Z) switch is in the ON position, pressing SNOOZE (G) button will cause MR CR to perform a short demonstration. All other functions are disabled if DEMO is on.

The following functions will not work until you slide the "DEMO" (Z) switch to the OFF position.

Five Modes: Awake Mode/Radio Mode/Alarm mode/Sleep Mode/ Clock Mode

Awake Mode:
A motion sensor indicates when someone is in the room and MR CR wakes up. MR CR will remain active for 5 minutes. If after 5 minutes there is no motion detected MR CR will go to sleep.
Note: As long as MR CR is awake he will randomly say things.

Radio Mode:
For Radio press RADIO ON (K) to enter MR CR to Radio Mode. Set the mode AM/FM/AUX by pressing RADIO ON (K) button until desired mode shows on the bottom of the LCD screen. In AM or FM mode rotate TUNER wheel (E) to desired radio station. Rotate VOLUME wheel (I) to adjust volume level.

RETAIN THIS PART FOR YOUR RECORDS

Type of product _____

Model No. _____

Serial No. _____

Dealer's Name _____

Address _____

City _____

State _____ Zip _____

Date of Purchase _____

(Month) (Day) (Year)

Note: Retain your sales slip: it's your proof of purchase. See Statement of Limited Warranty above.

© 2007 Gee Wiz Ltd.
18/F1 557-559 Nathan road
Wing Wong Commercial Building
Mongkok Kowloon, Hong Kong

© 2007 Gee Wiz Entertainment LLC
2545 Hempstead Tnpk.
East Meadow, NY 11554

Visit us at: www.GeeWizEnt.com



For Mp3 insert one end of the Mp3 Jack Wire (P) into the headphone slot on your Mp3 player. Insert the other end of the Mp3 Jack Wire (P) into AUX slot (N) located on the back. Press the RADIO ON (K) button until "AUX" appears on the LCD screen. Operate your Mp3 normally, use the VOLUME wheel (E) to adjust volume level. NOTE: Keep your Mp3 player's volume below maximum level to avoid static and distortion.

Sleep Mode:
Only works while playing Radio/Mp3. Press SNOOZE (G) button to set the sleep time, 15, 30, 45 and 60 minute segments. The LCD will display the desired length of time on the right hand side of the LCD screen. MR CR will count down the minutes while playing the radio or Mp3 player. MR CR will automatically shut off when length of time is up.

Alarm Mode:
Press the ALARM ON Hi/Lo/AM/FM (L) button to enter into Alarm Mode and ALARM Icon is displayed at the bottom of the LCD screen.

Press the ALARM ON (L) button again to scroll to your desired alarm mode. Modes are Hi/Low/AM/FM

- Display HI - intense alarm (15 random alarm shows)
- Display LO - gentle alarm (15 random alarm shows)
- Display Radio AM - radio alarm with AM band.
- Display Radio FM - radio alarm with FM band.

For radio alarm mode to work properly, you must set your desired radio station and volume level.
On activation alarm will sound for 60 minutes and then enter a normal Clock Mode, if no action is taken.

Press SNOOZE (G) button to shut alarm off for 5 minutes, alarm will resume after 5 minutes.
Press OFF (J) button to shut off alarm immediately.

Clock Time Setting:
Press and Hold TIMESSET (D) button and press HOUR (B) button or MINUTE (C) button to adjust time.

Alarm Clock Time Setting:
Press and hold ALARMSET (A) button and press HOUR (B) button or MINUTE (C) to adjust desired wake-up time.

Time Announcing Mode:
This mode makes MR CR act like a Cuckoo Clock. Press MINUTE (C) button to change the pie shaped icon in the upper right hand corner of the LCD screen.

- ☉ Announces time on the hour.
- ☉☉ Announces time on the half hour.
- ☉☉☉ Announces the time on the quarter hour.

Press HOUR (B) button to choose the time period for announcing.

- ☀ MR CR will announce the time only during the day (from 8am to 8pm)
- ☀☾ MR CR will announce the time all 24 hours.

Real Time Announcing:
This function works in Clock Mode and Alarm Mode. (does not work while alarm is sounding)

Press SNOOZE (G) button and MR CR will announce the current time.

Fortune Telling:
This function works in Clock Mode, Radio Mode, and Alarm Mode. Press the FORTUNE (F) button and MR CR will prompt you to ask a Yes or No question. Press the SNOOZE (G) button after asking a question and MR CR will give you an answer. Note; you only have 30 seconds in which to ask your question and press the SNOOZE button, you will see a countdown on the LCD screen.

Night Light:
This function works in Clock Mode, Radio Mode and Alarm Mode. Press NIGHTLIGHT (H) button to change the display of the two LED lights on the MR CR head. Press once and the lights stay on steadily, functioning as a light night. Press again and the LED lights will flash. Press a third time to shut lights off.

Battery Back-up:
Insert two "AAA" batteries in the battery compartment located on the bottom of MR CR. You will need to use a Philips head screwdriver to remove the door screw. If ever there is a power outage/surge MR CR will not lose its time setting.

Gee Wiz, Ltd. products are warranted against defects in material and workmanship for a period of 90 days beginning from the date of sale to the original purchaser. Should the unit fail under normal usage during the 90 days warranty, it is to be returned freight prepaid with \$12.95 payment for handling and return postage to:

Gee Wiz Entertainment LLC.
496 North Kings Highway
Cherry Hill, NJ 08034
Tel: (856)482-7778
Fax: (856)482-1313

The purchasers bill of sale is the only proof of warranty entitlement and it must accompany the unit. The warranty does not apply to GW products which have been repaired by unauthorized persons in any way so as, in our judgement to reduce their performance or reliability, or which have been subject to misuse, abuse, neglect or accident. This warranty gives the purchaser specific legal rights in addition to any other rights which vary from state to state. In accordance with the "Moss-Magnuson Warranty Act" of July 10, 1975 this is termed a "limited warranty" which in no way compromises GW high standards of quality and workmanship.